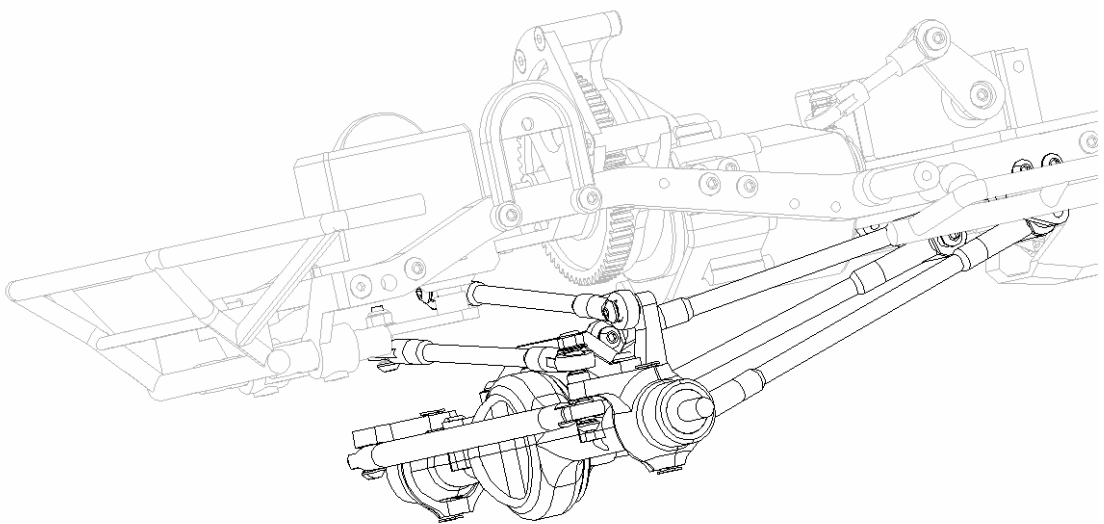




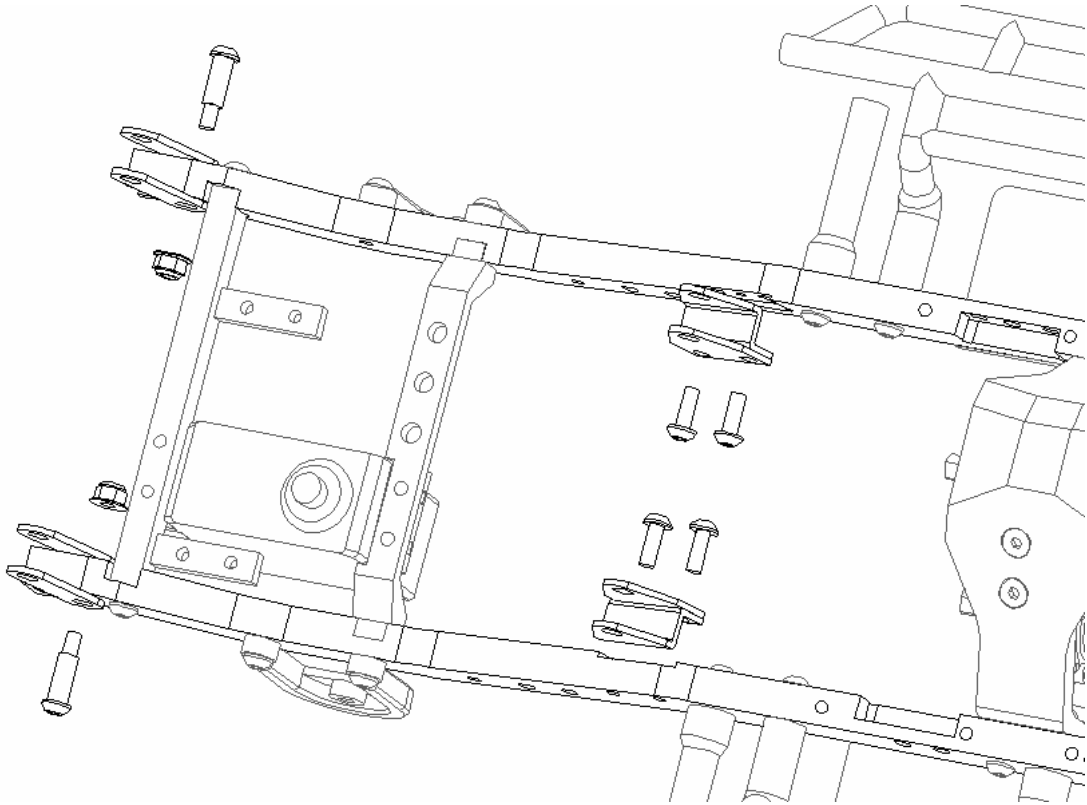
TRAILFINDER 2

FRONT 3 LINK + PANHARD BAR KIT



1

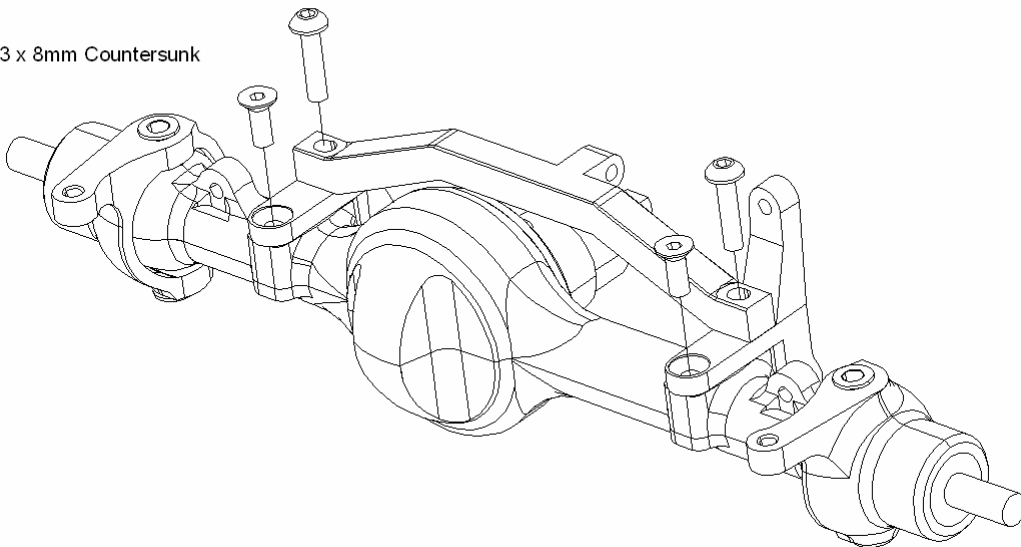
Remove front axle and leaf spring mounting hardware



2

M3 x 12mm

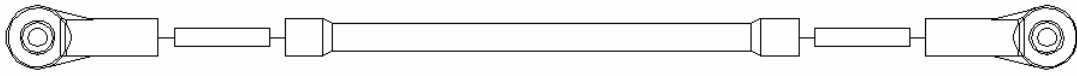
M3 x 8mm Countersunk



3

81mm link

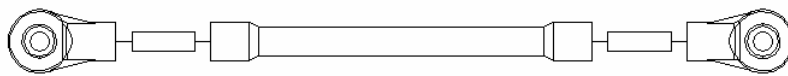
Make 2



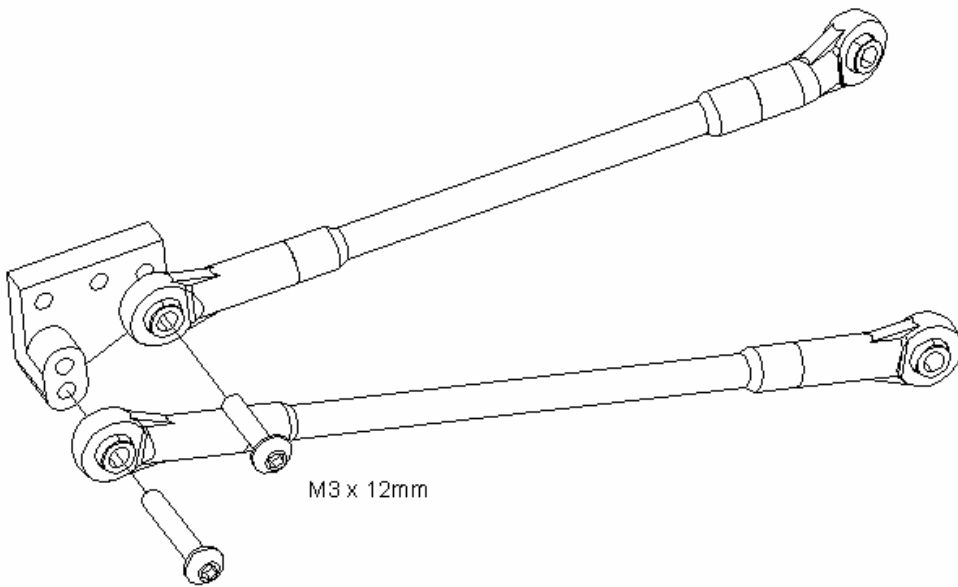
67mm link



60mm link

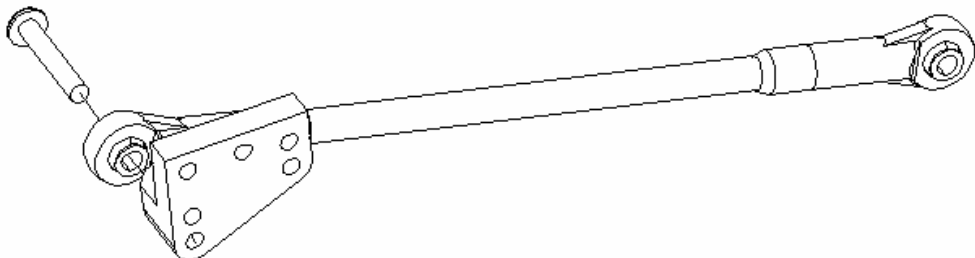


4

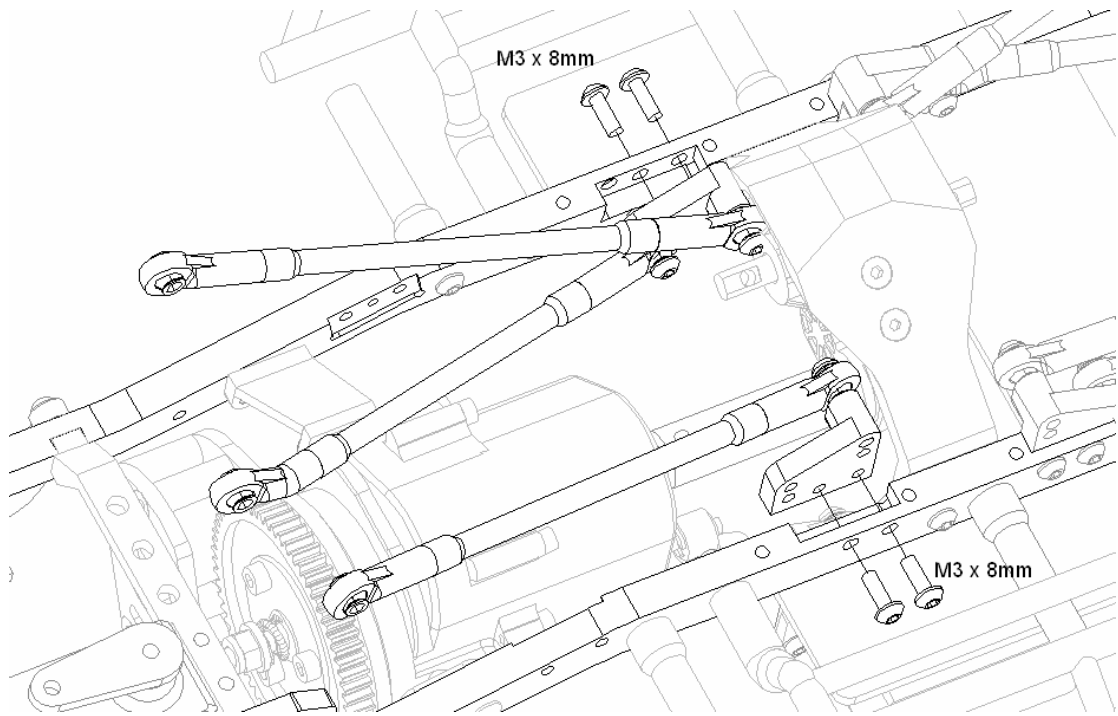


M3 x 12mm

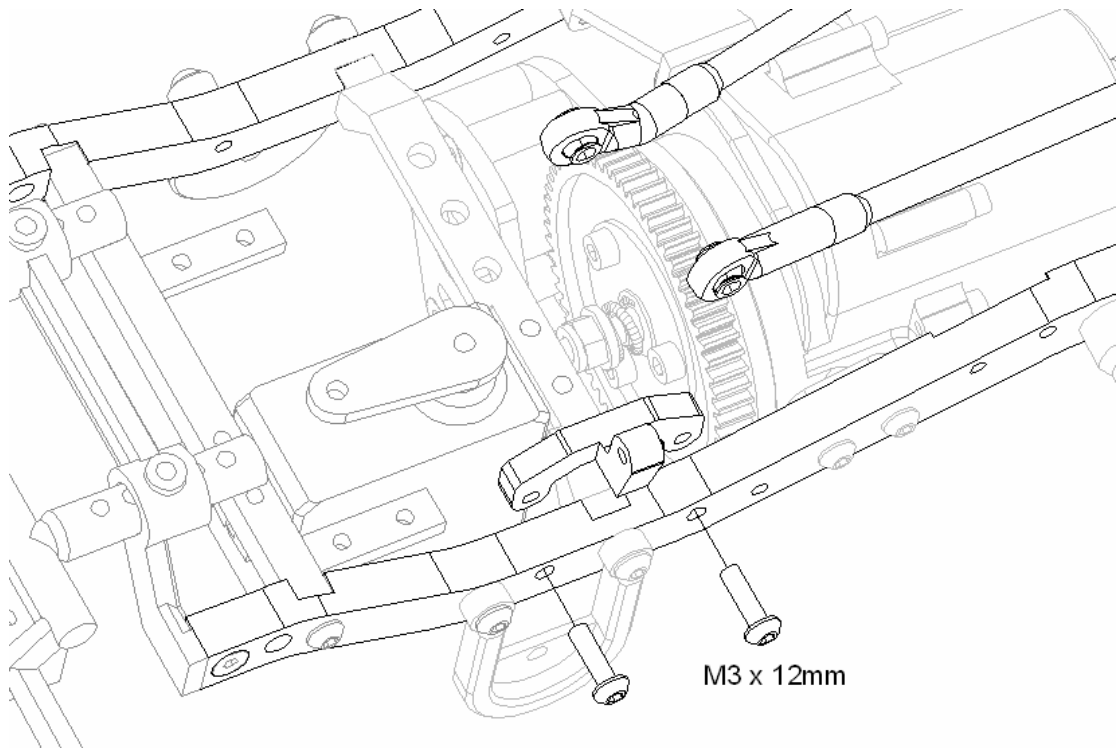
M3 x 16mm



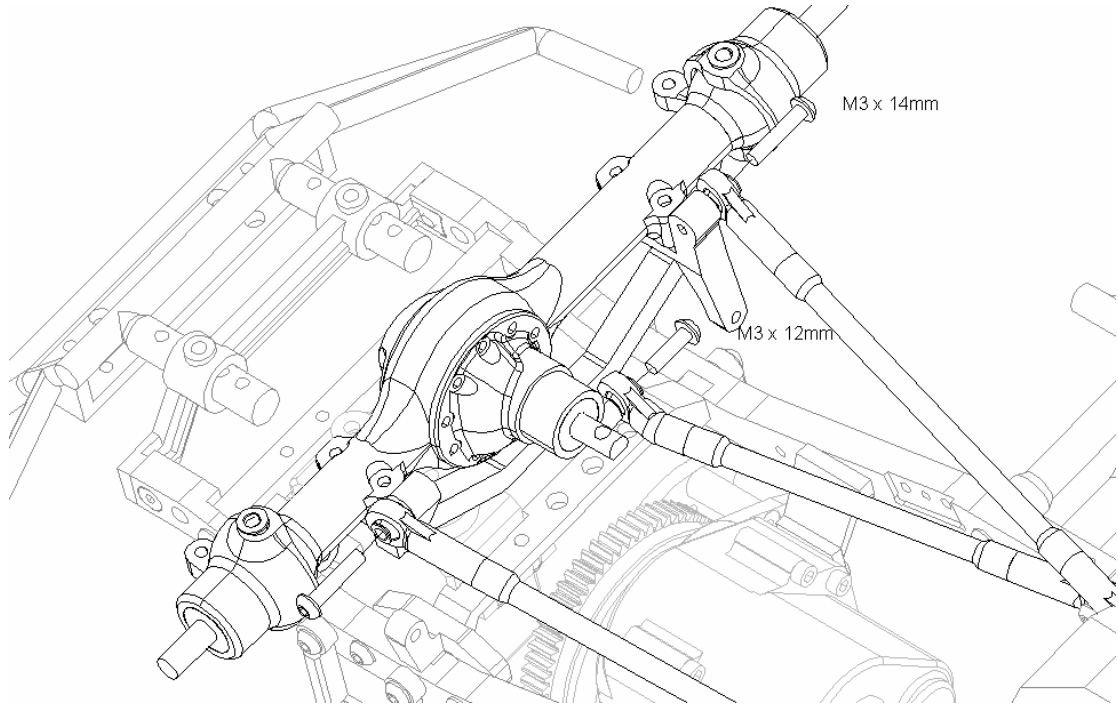
5



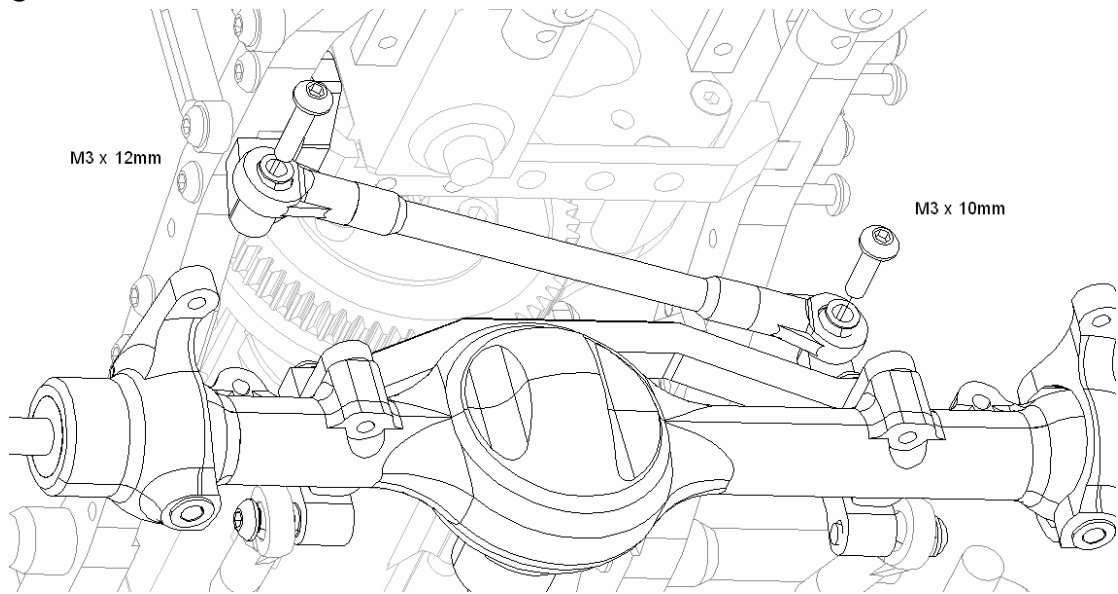
6



7



8



9

